

Cash Acme™

EB75 Pressure Regulating Valve

The EB75 is a compact, iron-body pressure reducing and regulating valve designed for installations where small size and economy are important. Because of the iron body, this valve is not recommended for use in potable water applications. The EB75 comes factory set at 45 psi but has an adjustment range of 10-70 psi. The valve also comes in a low pressure range of 0-20 psi.

Approved Applications

Non-potable industrial water system applications.

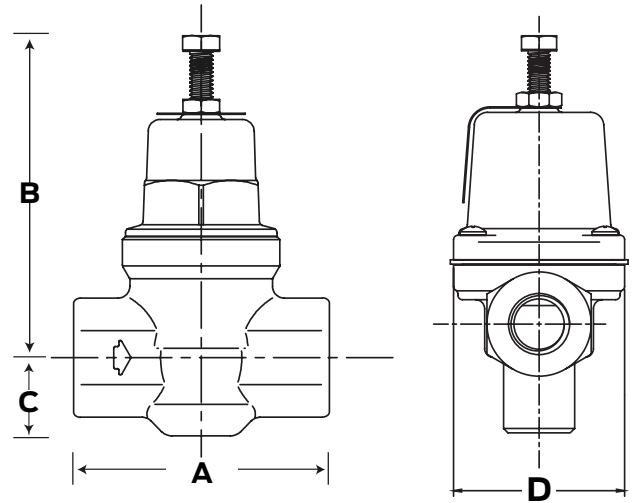
Specification Data

Performance

Maximum Inlet pressure	300 psi
Temperature range	33°F - 180°F (0.6°C - 82.2°C)
Service	Water
Outlet pressure range	0-20 psi and 10-70 psi
Factory Set	45 psi

Materials

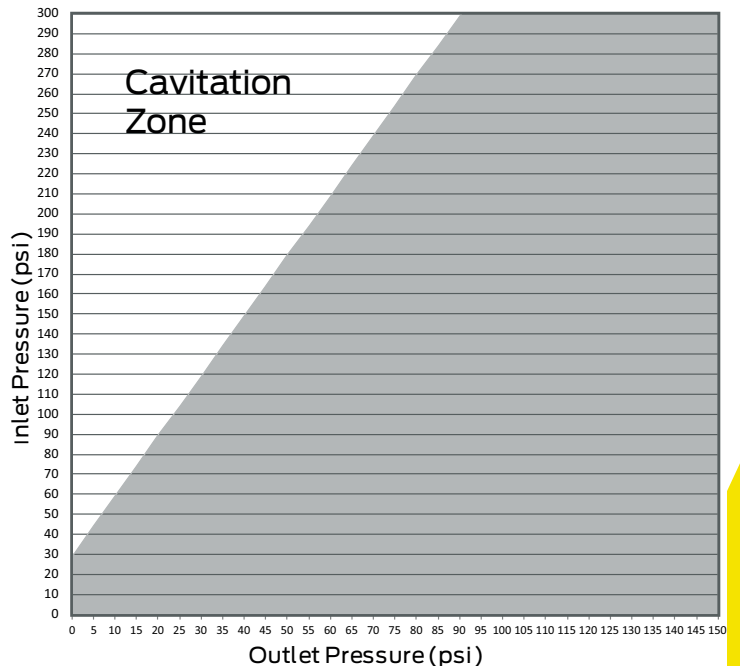
1	Body	Gray Iron
2	Spring Chamber	Gray Iron
3	Body Seat	Brass
4	Diaphragm	Nylon Fabric Reinforced EPDM
5	Adjusting Spring	Carbon Steel
6	Piston Spring	Stainless Steel



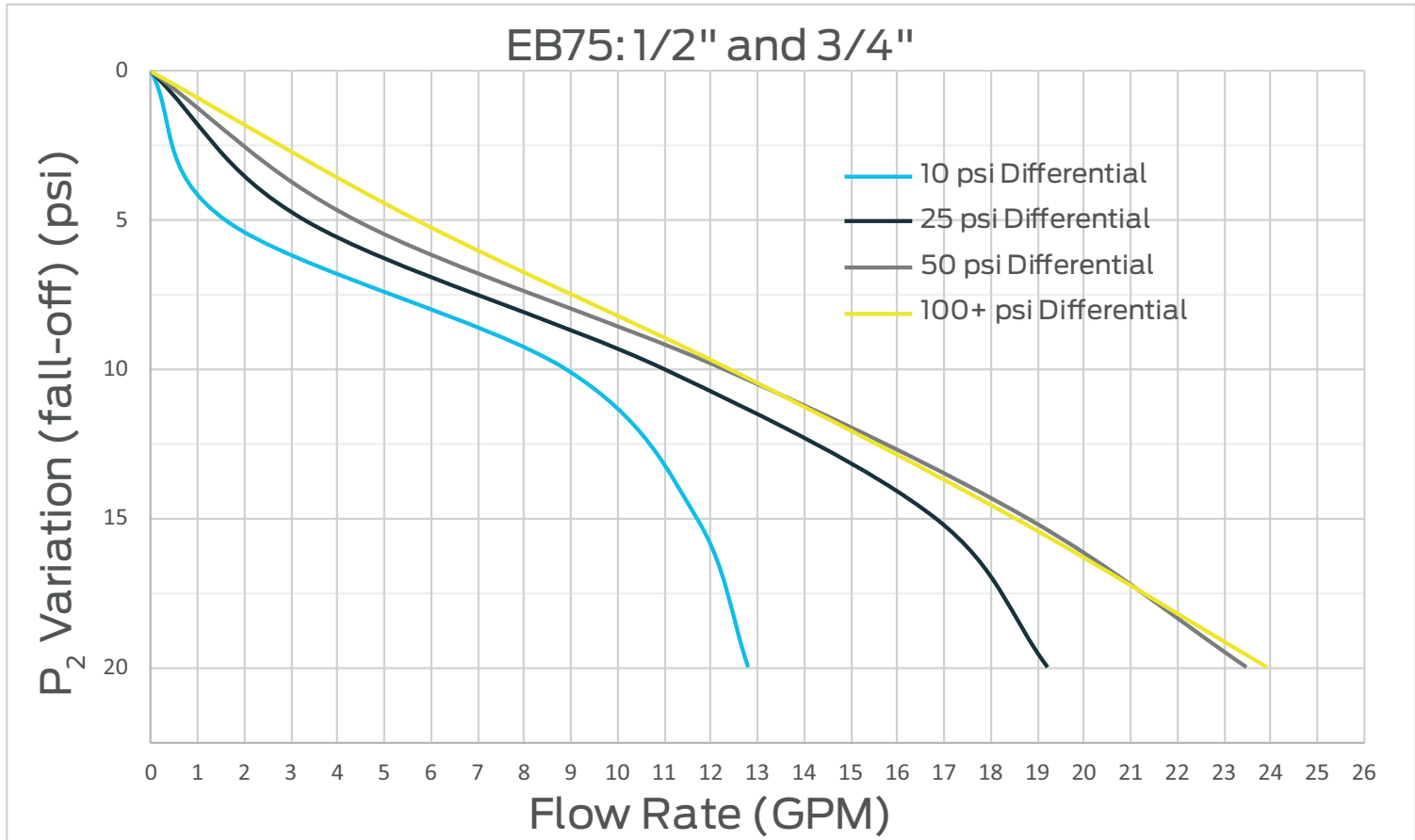
Dimensions (inches)

Size	Part #	Connection Style	A	B	C	D
1/2"	20658	Threaded	3-49/64	4-23/64	1-3/64	2-13/32
1/2"	22999	Threaded	3-49/64	4-23/64	1-3/64	1-29/32
3/4"	20662	Threaded	3-49/64	4-23/64	1-3/64	2-13/32
3/4"	23000	Threaded	3-49/64	4-23/64	1-3/64	1-29/32

Cash Acme PRV Cavitation Chart



Cash Acme EB75 Flow Capacity



Pressure Differential: Difference between the inlet pressure and the PRV set pressure.

P₂ Variation: Pressure reduction of the outlet due to the demand created downstream when a fixture is opened and water is allowed to flow through the PRV.

Certifications & Listings

ASSE 1003, CSA B356, NSF/ANSI/CAN 372, NSF/ANSI/CAN 61



Refer to local plumbing code

Product Submittal	
Name	
Date	
Architect/Owner	
Contractor	
Tag	
Notes	

