

Cash Acme™

EB25 Pressure Regulating Valve

The patented EB25 single cartridge design is optimal for delivering steady flow even with extreme variations in supply pressure. With fewer parts, the ease of serviceability and increased reliability make this valve the most advanced on the market. The innovative “micro-finger” design eliminates the water whistle associated with other pressure regulating valves by dissipating noise as water flows across the seat.

BIM Available [Online](#)

Approved Applications

Commercial and domestic water applications.

Specification Data

Performance

| | |
|-----------------------|-------------------------------|
| Inlet pressure | 300 psi |
| Temperature range | 33°F - 180°F (0.6°C - 82.2°C) |
| Service | Water |
| Outlet pressure range | 20-90 psi |

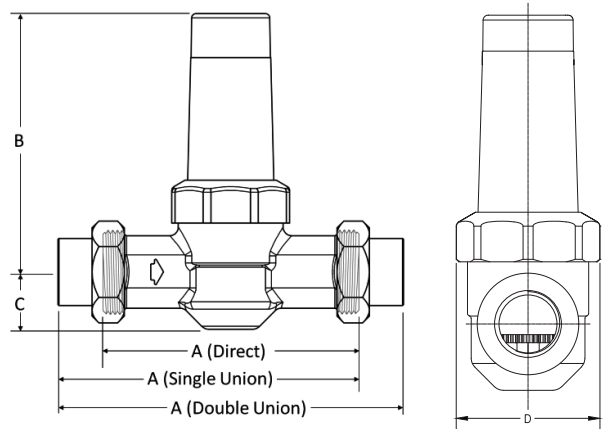
Materials

| | |
|------------------|---|
| Body | Lead-Free ¹ Brass or Stainless Steel |
| Spring Chamber | Nylon |
| Adjusting Spring | Steel (Zinc Plated) |
| Diaphragm | Reinforced EPDM |
| Body Seat | Polysulfone |
| Seat Disc | EPDM |
| Piston | Stainless Steel |
| Strainer Screen | Stainless steel |
| Pressure Plate | Steel (Zinc Plated) |

SharkBite Union Materials

| | |
|-----------|----------------------------------|
| Body | Lead-Free ¹ DZR Brass |
| O-ring | EPDM |
| Grab Ring | Stainless-Steel Tube Support |
| Liner | Polysulfone |

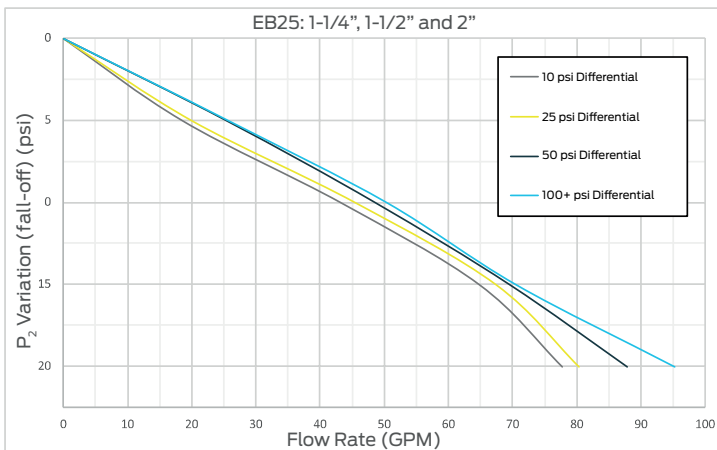
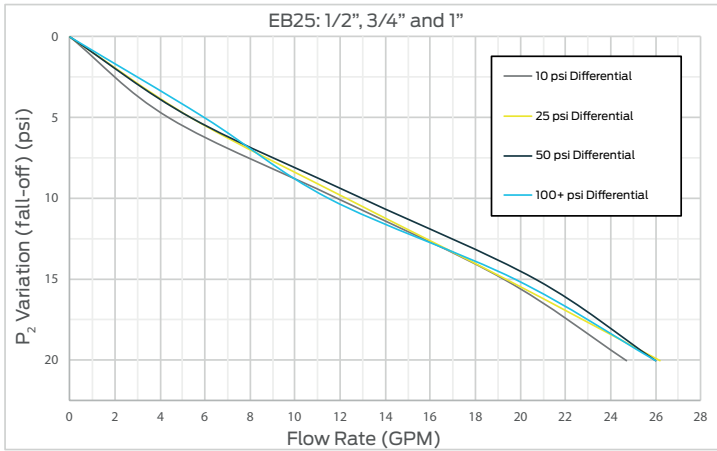
¹ Lead free for all models. Surfaces that are in contact with consumable water contain less than 0.25% lead by weight.



EB25 Bronze Body Dimensions (inches)

| Size | Connection Style | A | | | B | C | D |
|--------|------------------|--------|--------------|--------------|---------|---------|---------|
| | | Direct | Single Union | Double Union | | | |
| 1/2" | NPT | - | 5-49/64 | - | 4-59/64 | 1-1/16 | 2-9/32 |
| | Sweat | - | 5-9/16 | - | 4-59/64 | 1-1/16 | 2-9/32 |
| | Cold Expansion | - | - | 5-35/64 | 4-3/8 | 3/4 | 2-9/32 |
| 3/4" | NPT | 4-7/8 | 4-1/2 | 6-11/16 | 4-59/64 | 1-1/16 | 2-9/32 |
| | Sweat | - | 4-21/32 | 6-11/16 | 4-59/64 | 1-1/16 | 2-9/32 |
| | Barb | - | - | 7-3/32 | 4-59/64 | 1-1/16 | 2-9/32 |
| | Cold Expansion | - | - | 6-3/32 | 4-3/8 | 3/4 | 2-9/32 |
| 1" | SharkBite | - | - | 8-7/16 | 4-59/64 | 1-1/16 | 2-9/32 |
| | NPT | 4-7/8 | 5-23/32 | 6-51/64 | 4-59/64 | 1-1/16 | 2-9/32 |
| | Sweat | - | 5-27/32 | 7-3/64 | 4-59/64 | 1-1/16 | 2-9/32 |
| | Barb | - | - | 7-19/32 | 4-59/64 | 1-1/16 | 2-9/32 |
| | Cold Expansion | - | - | 7-7/16 | 4-11/32 | 1-3/64 | 2-9/32 |
| 1-1/4" | SharkBite | - | - | 9-11/34 | 4-59/64 | 1-1/16 | 2-9/32 |
| | NPT | - | 5-11/16 | 6-35/64 | 7-31/64 | 1-13/32 | 3-7/64 |
| | Sweat | - | 5-7/8 | 6-15/16 | 7-31/64 | 1-13/32 | 3-7/64 |
| | Cold Expansion | - | - | 8-25/64 | 7-31/64 | 1-13/32 | 3-7/64 |
| | SharkBite | - | - | 8/23/1932 | 7-31/64 | 1-13/32 | 3-7/64 |
| 1-1/2" | NPT | - | 5-29/32 | 7 | 7-31/64 | 1-5/8 | 3-5/32 |
| | Sweat | - | 6 | 7-11/64 | 7-31/64 | 1-5/8 | 3-5/32 |
| | Cold Expansion | - | - | 9-5/32 | 7-31/64 | 1-5/8 | 3-5/32 |
| | SharkBite | - | - | 9-1/16 | 7-31/64 | 1-5/8 | 3-5/32 |
| | NPT | - | 6 | 7-3/16 | 7-31/64 | 1-57/64 | 3-11/16 |
| 2" | Sweat | - | 6-1/4 | 7-11/16 | 7-31/64 | 1-57/64 | 3-11/16 |
| | Cold Expansion | - | - | 10-1/64 | 7-31/64 | 1-57/64 | 3-11/16 |
| | SharkBite | - | - | 9/11/1934 | 7-31/64 | 1-57/64 | 3-11/16 |

Cash Acme EB25 Flow Capacity



Pressure Differential: Difference between the inlet pressure and the PRV set pressure.

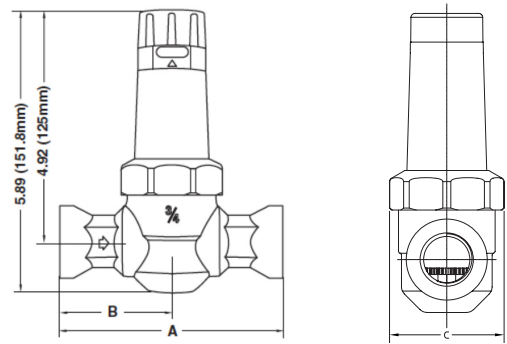
P₂ Variation: Pressure reduction of the outlet due to the demand created downstream when a fixture is opened and water is allowed to flow through the PRV.

Certifications & Listings

ASSE 1003, CSA B356, NSF/ANSI/CAN 372, NSF/ANSI/CAN 61



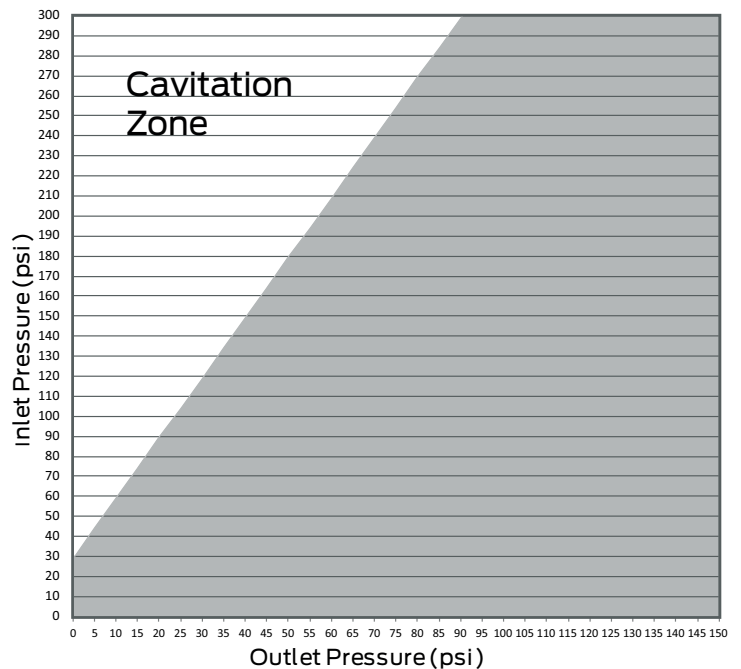
Refer to local plumbing code



EB25 Stainless-Steel Body Dimensions (inches)

| Size | Connection Style | A | B | C |
|------|------------------|---------|--------|--------|
| 3/4" | NPT (Both ends) | 4-7/8 | 2-7/16 | 2-9/32 |
| 3/4" | Double Union NPT | 6-11/16 | 3-3/8 | 2-9/32 |
| 1" | NPT (Both ends) | 4-7/8 | 2-7/16 | 2-9/32 |
| 1" | Double Union NPT | 6-13/16 | 3-7/16 | 2-9/32 |

Cash Acme PRV Cavitation Chart



Product Submittal

| | |
|-----------------|--|
| Name | |
| Date | |
| Architect/Owner | |
| Contractor | |
| Tag | |
| Notes | |

Rev 1.1 / 01-21-22
Page 2 of 2 EN-US