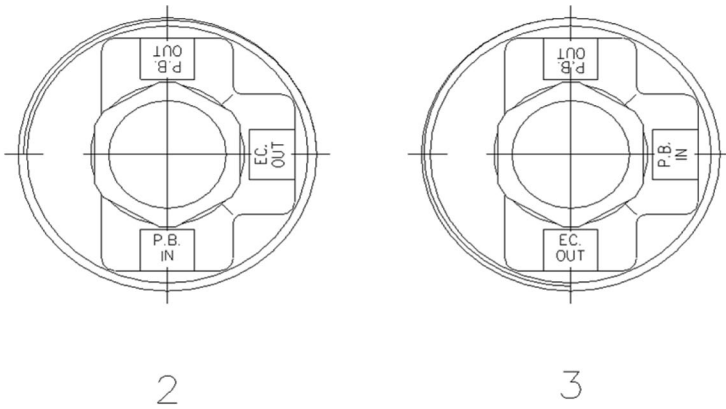


CASH VALVES CRYOGENIC VALVES AND CONTROLS

TYPES PBE-1, PBE-2, PBE-5 SELECTION GUIDE

| Example: | PBE1 | A | Z | 3 | S | 01 | - | E | 1 |
|---|--|---|---|---|---|----|---|---|---|
| Model | | | | | | | | | |
| PBE1 | PBE-1A valve | | | | | | | | |
| PBE2 | PBE-2 valve | | | | | | | | |
| PBE5 | PBE-5 valve | | | | | | | | |
| Valve size | | | | | | | | | |
| A | ¼" (PBE-1A) | | | | | | | | |
| C | ½" (PBE-2; PBE-5) | | | | | | | | |
| Body and spring chamber | | | | | | | | | |
| Z | Brass/bronze (all) | | | | | | | | |
| G | 316 SST (PBE-2) | | | | | | | | |
| Economizer outlet side (see diagram below) | | | | | | | | | |
| 2 | Left hand (PBE-1A) | | | | | | | | |
| 3 | Right hand; PB out l/h (PBE-1A) | | | | | | | | |
| B | Bottom (PBE-2; PBE-5) | | | | | | | | |
| Option | | | | | | | | | |
| S | Standard | | | | | | | | |
| C | with check (PBE-2, PBE-5) | | | | | | | | |
| Variation | | | | | | | | | |
| 01 | Standard | | | | | | | | |
| 02 | With tube end connections (PBE-5) | | | | | | | | |
| Design revision | | | | | | | | | |
| (-) | Indicates original design (PBE-2; PBE-5) | | | | | | | | |
| B | With active economizer (PBE-1A) | | | | | | | | |
| Spring material | | | | | | | | | |
| E | Stainless steel | | | | | | | | |
| Spring range | | | | | | | | | |
| | Refer to table below | | | | | | | | |



STANDARD SPRING RANGE (psig)

| Spring Material | Type | 1 | 2 | 3 | 4 | 5 | 6 | 7 |
|-----------------|--------|---------|----------|-----------|-----------|-----------|------------|-----------|
| SST | PBE-1A | 15 - 65 | 50 - 175 | 150 - 350 | 300 - 600 | ---- | ---- | ---- |
| | PBE-2 | 10 - 30 | 20 - 75 | 25 - 125 | 100 - 200 | 150 - 250 | 200 - 400* | ---- |
| | PBE-5 | 0 - 30 | 20 - 50 | 40 - 80 | 75 - 150 | 100 - 275 | 200 - 350 | 300 - 600 |

* Only available with PBE-2 SST body