

Please turn over for additional instructions.

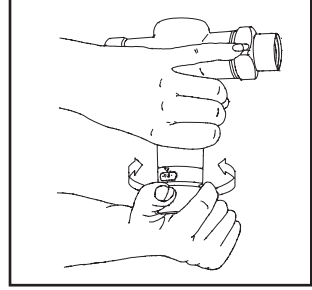



Fig. 4

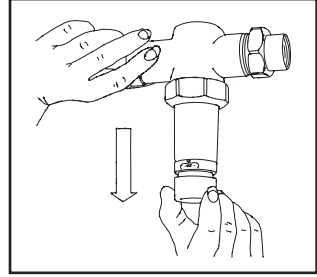


Fig. 3

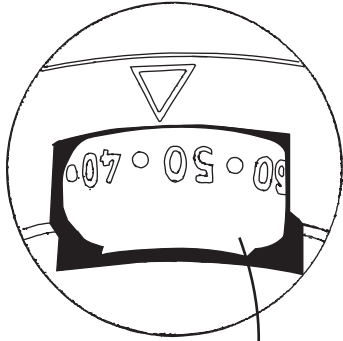
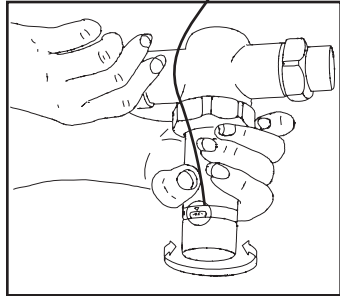


Fig. 2



Pressure Adjustment:
To adjust outlet pressure, pull the ORANGE Adjustment Knob upward (Fig. 3) then turn counter clockwise (-) to decrease pressure or clockwise (+) to increase pressure. (Fig. 4) Snap the knob back down to lock its position after adjusting. (Fig. 5)

3

IMPORTANT!
Do not turn pressure indicator to adjust outlet pressure

Viewing Pressure Indicator:
If necessary, the Pressure Reducer Cartridge can be rotated to best view the Pressure Indicator. The outlet pressure is factory preset to the value indicated by the Pressure Indicator. The Pressure Indicator will display approximate outlet pressure. (Fig. 2)

2

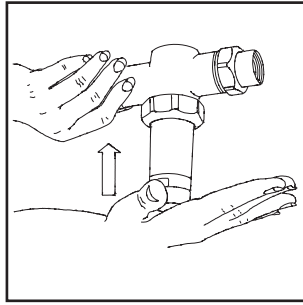
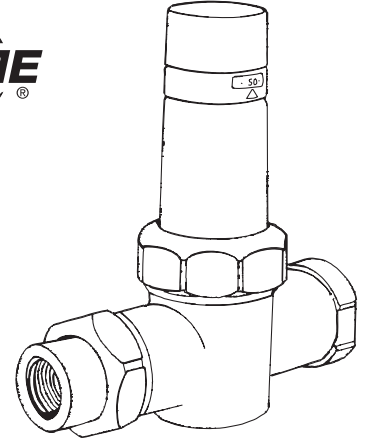


Fig. 5

SoloSet™

Type EB25, EB25-SS & EB25-400
PRESSURE REDUCING VALVE

For Water Service, with Bronze or Stainless Steel Body and Inbuilt Back-Pass-Check



A division of the Reliance Worldwide Corporation



Installation:
Thoroughly flush out the system before installing valve. It is recommended that isolating valves be installed both upstream and downstream to ease in servicing the valve. Install in an accessible location and orient the valve to correspond with the direction of flow (indicated by arrow on the Valve Body)(Fig. 1). Avoid stressing the valve by ensuring that inlet and outlet pipework are properly supported and aligned.

1

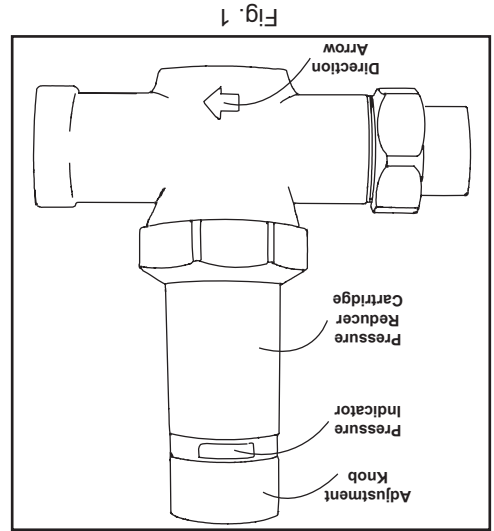


Fig. 1

4

Maintenance:

Close isolating valves upstream and downstream before attempting to service the valve. Unscrew the Cartridge Nut. (Fig. 6 and Fig. 7)

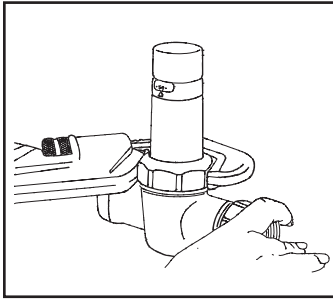


Fig. 6

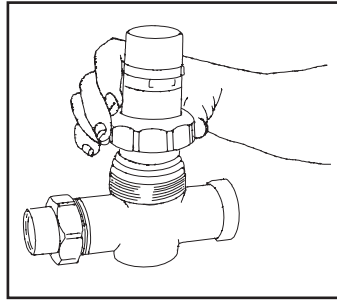


Fig. 7

Remove the Pressure Reducer Cartridge by pulling straight up. (Fig. 8) Clean with cold water only. Replace the Strainer Screen before re-installing the Pressure Reducer Cartridge. (Fig. 9) Orient the Pressure Reducer Cartridge to best view indicator.

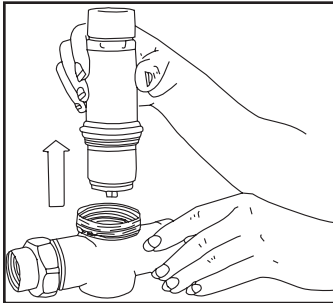


Fig. 8

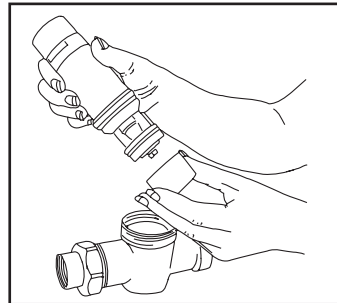


Fig. 9

Performance:

Outlet pressure range:

EB25 8-35 or 20-90 psi

EB25-400 & EB25-SS 20-90 psi

Maximum temperature 180° F

Maximum initial pressure:

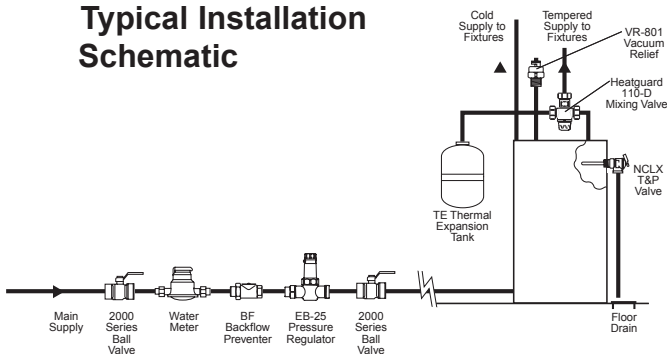
EB25 & EB25SS 300 psi

EB25-400 400 psi

EB25 Multi-Cartridge .. 250 psi

Service Water

Typical Installation Schematic



California "Proposition 65" Warning:

This product contains a chemical known to the State of California to cause cancer, birth defects or other reproductive harm.

Note to Installer/Contractor: California law requires that this notice be provided to the consumer/end user of this product.

5

Burial Instructions (Optional Cover)

Available for sizes 1/2", 3/4" & 1" only:

Burial Depth should be in accordance with local plumbing codes.

After valve is installed, reset pressure if necessary, (see Operation Instructions). Make sure valve is clean of dirt and debris. Slip provided O-Ring over cartridge until seated against Cartridge Nut.

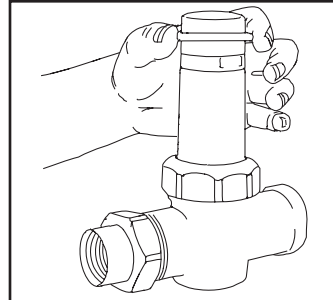


Fig. 10

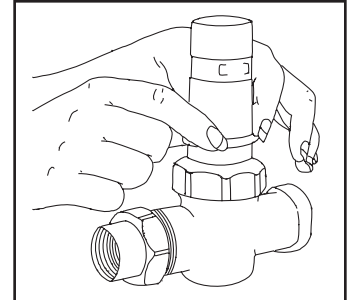


Fig. 11

Orient direct burial cover in such a way that it can be snapped into position. (Fig. 12 and 13)

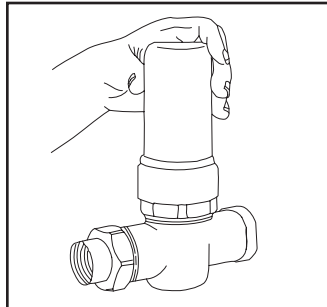


Fig. 12

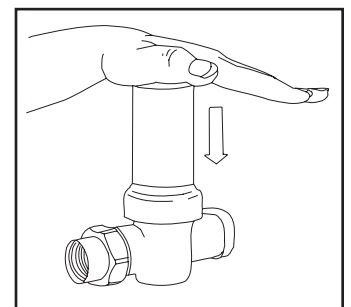
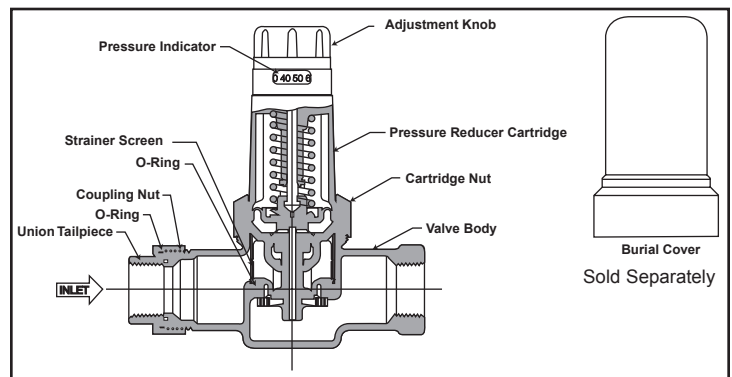


Fig. 13



10445 REV. B

CASH ACME *SoloSet*™

Type EB25, EB25-SS & EB25-400 PRESSURE REDUCING VALVE

For Water Service, with Bronze or Stainless Steel Body and Inbuilt Back-Pass-Check

2400 7th Ave. SW • Cullman, AL 35055 • www.cashacme.com