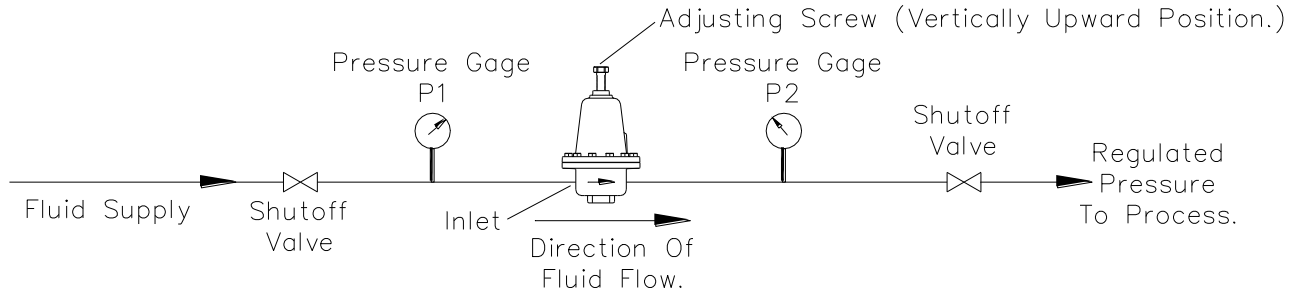




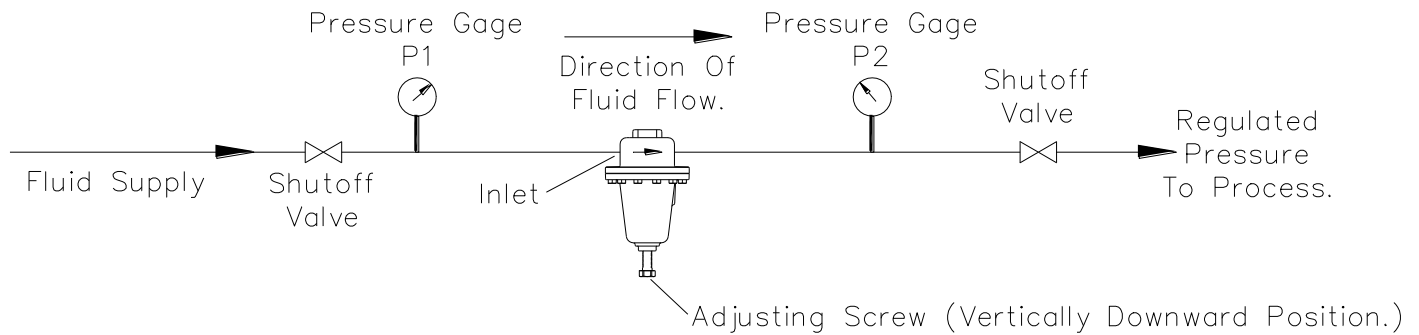
RECOMMENDED INSTALLATION DIAGRAMS

MOST RECOMMENDED

(A) UPRIGHT POSITION

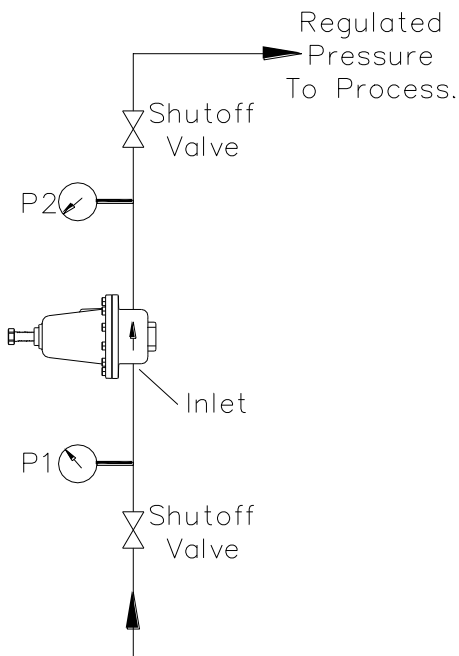


(B) INVERTED POSITION



LEAST RECOMMENDED

(C) VERTICAL POSITION



Piping vertically upward (or reversed vertically down-ward).
Valve will function satisfactorily; however, In-Line maintenance or repair will be difficult.