

EB-75 Compact Iron Body Regulating Valve

DESCRIPTION

The Cash Acme EB-75 is a compact, iron-body pressure reducing and regulating valve designed for installations where small size and economy are important, and where local codes allow the use of iron body regulators for water service.

The EB-75 Regulators are available in 1/2" and 3/4" sizes. This regulator is intended for use where supply line inlet pressure does not exceed 300 psi. The EB-75 is suitable for either cold or hot (to 180°F) water service. This valve automatically reduces and regulates inlet pressures down to the standard factory setting of 45 psi.

FEATURES AND BENEFITS

Inbuilt back-pass check:

Allows water to flow back through the regulator in cases of thermal expansion caused by hot water heating devices.

Every valve is tested for performance prior to shipping:

Specify and install with confidence!

Fully pressure-balanced piston:

Automatically reduces and regulates high inlet pressures from a maximum of 300 psi down to 45 psi at standard factory setting.

Every valve is tested for performance prior to shipping:

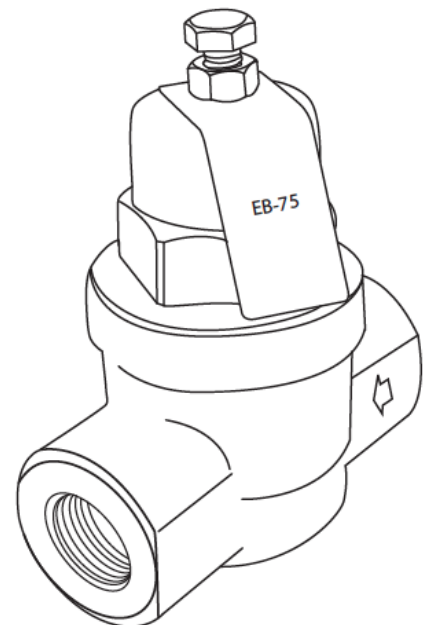
Specify and install with confidence.

Assembled and tested in the USA:

Prepared in our manufacturing plant in Cullman, Alabama.

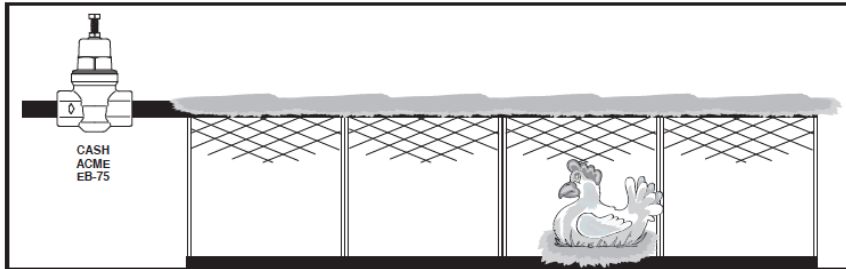
SPECIFICATION

A pressure-reducing valve shall be installed. The valve shall have an iron body, stainless steel seat ring, brass internals and a nylon reinforced, EP diaphragm. The valve shall be adjustable from 10 to 70 psi. The valve shall be a **Cash Acme EB-75 Regulating Valve**.



EB-75 Compact Iron Body Regulating Valve

TYPICAL INSTALLATION



SPECIFICATION DATA

Performance:

Outlet pressure range*..... 10-70 psi
 Maximum temperature..... 180°F
 Maximum initial pressure..... 300 psi
 Service..... Water

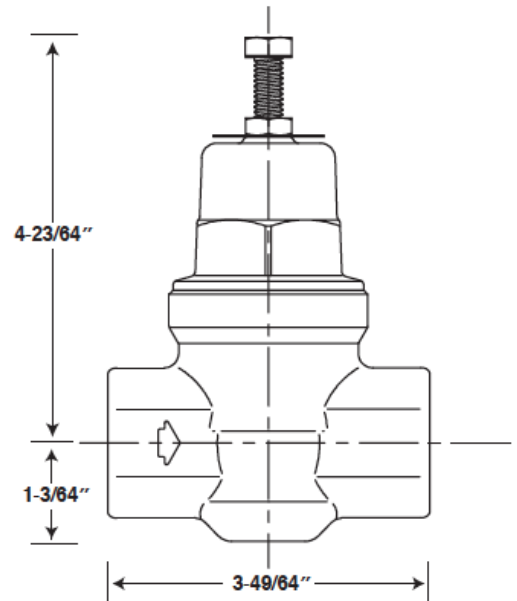
*0-20 psi also available, please contact the factory

Materials:

Body..... Iron
 Spring Chamber..... Iron
 Body Seat..... Polysulphone
 Diaphragm..... Reinforced EPDM
 Adjusting Spring..... Steel (zinc plated)

AVAILABLE CONNECTIONS

Threaded (NPT)..... 1/2" and 3/4"



EB-75 Water Capacity (gpm)

| Valve Size | P-VAR (psi) | Differential Pressure P-P ₁ (psi) | | | |
|------------|-------------|--|------|------|-------------|
| | | 10 | 25 | 50 | 100 Or More |
| 1/2"-3/4" | 5 | 1.6 | 3.3 | 4.4 | 5.7 |
| | 10 | 8.9 | 11.0 | 12.3 | 12.4 |
| | 15 | 11.7 | 16.8 | 18.8 | 18.5 |
| | 20 | 12.8 | 19.2 | 23.5 | 23.9 |