

E-41 Pressure Regulating Valve

DESCRIPTION

The Cash Acme E-41 Pressure Reducing and Regulating Valve automatically reduces a high inlet pressure to a lower delivery pressure and maintains the lower pressure within acceptable limits. It provides high capacity and close regulation for more demanding and higher quality installations. The E-41 is similar in internal design to the E-3 regulator with the exception that it is not fitted with an inbuilt strainer for systems which do not require the feature, or where separate, individual strainers are preferred.

The Cash Acme E-41 Regulator is available in 1/2" through 2" sizes. The E-41 is designed for use where inlet pressures do not exceed 300 psi and where system temperatures do not exceed 180°F. Standard factory outlet setting is 45 psi, but other settings are available. Lead Free¹ models are available.

FEATURES AND BENEFITS

Automatically reduces a high inlet pressure to a lower delivery pressure:
Maintains a lower pressure within reasonably close limits.

Every valve is tested for performance prior to shipping:
Specify and install with confidence!

High capacities for higher quality installations:
Handles more volume with just one regulator.

Rugged bronze body:
Superior reliability and improved user safety.

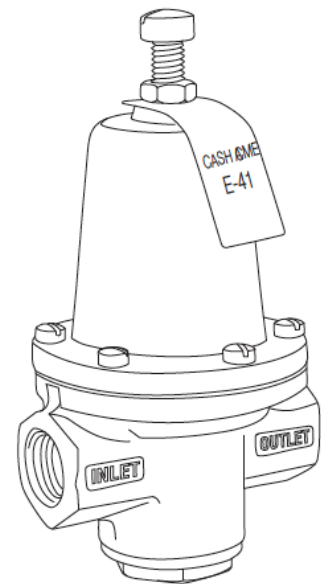
Listed by ASSE:
Inspector friendly, peace of mind!

Every valve is tested for performance prior to shipping:
Specify and install with confidence.

Assembled and tested in the USA:
Prepared in our manufacturing plant in Cullman, Alabama.

SPECIFICATION

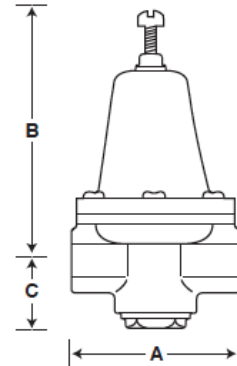
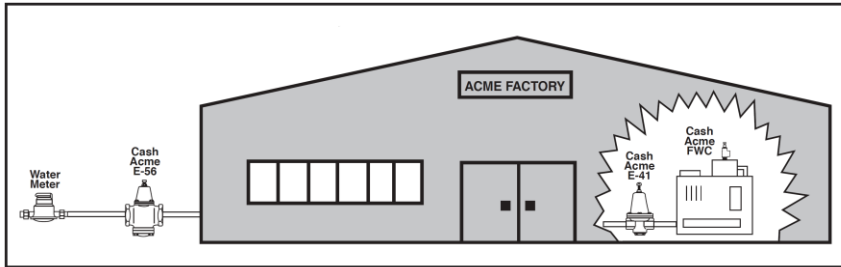
A pressure reducing valve shall be installed to deliver water at a controlled pressure. The valve shall be ASSE listed. The valve shall have a bronze body and a maximum inlet pressure of 300 psi. The valve shall be a yoke-type design with a buna seat disc and a stainless steel body seat. The valve shall be a **Cash Acme E-41 Pressure Regulator**.



E-41 Pressure Regulating Valve

TYPICAL INSTALLATION

The E-41 pressure regulator should be installed in the horizontal position with the spring chamber upright. For other installation requirements, consult the factory.



Dimensions	A	B	C
1/2"	3-3/8"	5-1/4"	1-1/2"
3/4"	4-1/16"	5-15/16"	1-7/8"
1"	4-9/16"	7"	2-5/16"
1-1/4"	5-3/16"	8"	2-3/8"
1-1/2"	5-13/16"	8-1/2"	2-5/8"
2"	6-1/2"	10-1/4"	2-3/4"

SPECIFICATION DATA

Performance:

Outlet pressure range..... 20-70 psi²
 Maximum temperature..... 180°F
 Maximum initial pressure..... 300 psi
 Service..... Air and water

Materials:

Spring Chamber:
 1/2" and 3/4" Models..... Iron
 1" through 2" Models..... Aluminum
 Adjustment Spring..... Steel (Zinc Plated)
 Body..... Bronze
 Diaphragm..... EP/Nylon
 Body Seat..... Stainless steel
 Seat Disc..... Buna-N
 Piston..... Bronze
 Piston Spring³..... Stainless Steel
 Strainer Screen..... Stainless steel or Monel
 Cleanout Plug..... Bronze

AVAILABLE CONNECTIONS

Threaded (NPT) 1/2", 3/4", 1", 1-1/4", 1-1/2" and 2"

CERTIFICATIONS

The Cash Acme E-41 Pressure Regulator is certified to ASSE 1003 and is listed by ASSE.

Water Capacity (gpm)

Pipe Size	P ₁ Variation (psi)	Differential Pressure P ₁ -P ₂ (psi)			
		10	25	50	100 Or More
1/2"	5	3	4	4-1/2	5-1/2
	10	6	8	10	11
	15	8	11	13-1/2	15
	20	9-1/2	13	15-1/2	17
3/4"	5	4	6-1/2	7-1/2	9
	10	8-1/2	12-1/2	16	17
	15	12-1/2	17-1/2	22	24
	20	15-1/2	21	26	28
1"	5	7	10	11	12
	10	15	20-1/2	25-1/2	27-1/2
	15	22	29	35-1/2	37-1/2
	20	28	35	41-1/2	44-1/2
1-1/4"	5	8-1/2	11	12	14
	10	20	27	33	36
	15	30	41	51	55
	20	40	53	65	70
1-1/2"	5	10-1/2	14	16	18
	10	27	38	48	52
	15	39	55	70	76
	20	50	72	92	100
2"	5	16	20	23	25
	10	37	52	65	70
	15	55	76	95	102
	20	70	97	120	130

¹ For our lead free models, surfaces that are in contact with consumable water contain less than 0.25% lead by weight.

² Low (10-40 psi) and High (71-150 psi) pressure ranges are also available.

³ Low pressure range only